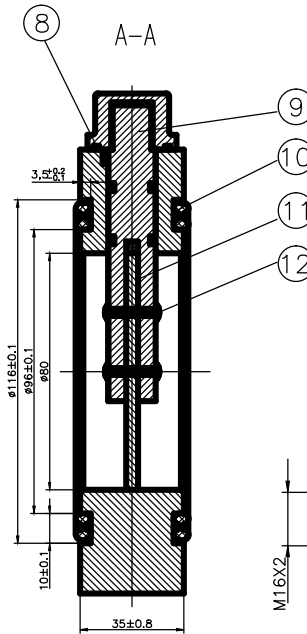
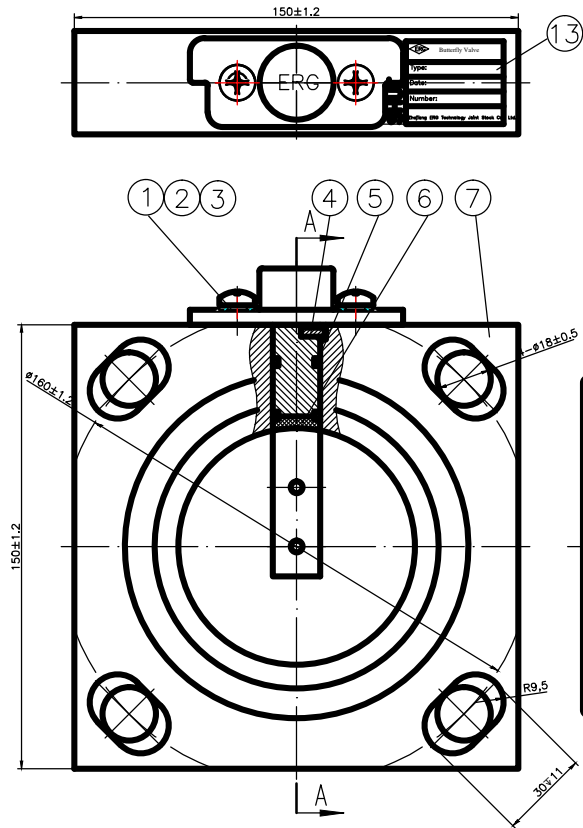


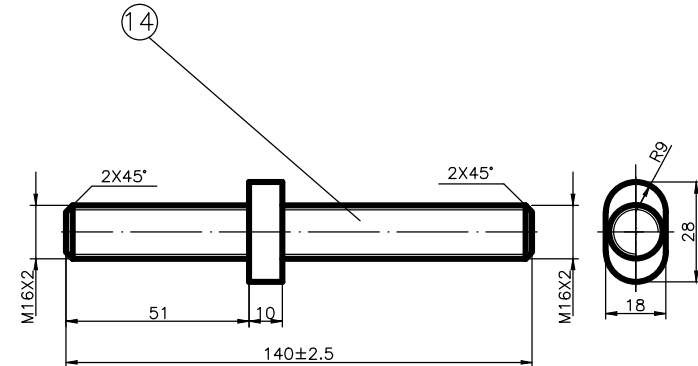
BDB-150/80-00



No.	Name	Material Specifications	Quantity	Note
1	Screw	0Cr17Ni12Mo2	2	
2	Flat Gasket	0Cr17Ni12Mo2	2	
3	Shaft End Cover	ADC12	1	
4	Cylindrical Pin	C35	1	
5	O-Ring	NBR	2	
6	Seal Gasket	NBR	1	
7	Valve Body	45#	1	
8	O Ring	NBR	1	
9	Shaft	45#	1	
10	Double Seal Gasket	NBR	2	
11	Valve Block	Q235	1	
12	Rivet	T2	2	
13	Name plate		1	
14	Bolt	M16X140	4	Grade 8.8

Note: NO.14: Hot Deep Galvanized Bolt Thickness: Over $30 \mu\text{m}$.

Total DTF (μm): $70-140 \mu\text{m}$.



www.nicktransformer.com
nick@erg.cn

				Butterfly valve shape and installation dimensions		Zhejiang erg Technology Co., Ltd.	
Mark No.	Change No.	Sign	Date			Butterfly valve	
Design	Standardization			Edition	Weight	Proportion	
Proof				Date			
Audit	Approve						
Process	Date			Page 1 1 Pages			
BDB-150/80-00							